



TP-S-855i

Wall Locations

The thermostat should be installed approximately 4 to 5 feet above the floor. Select an area with average temperature and good air circulation.

Vive Comfort

P.O. Box 3377
 Springfield, MO 65804
 Toll Free : 888-776-1427
 Web: www.vivecomfort.com
 Hours of Operation: M-F 9AM - 6PM Eastern

Thermostat Application Guide

Description	
Gas or Oil Heat	Yes
Electric Furnace	Yes
Heat Pump (No Aux. or Emergency Heat)	Yes
Heat Pump (With Aux. or Emergency Heat)	Yes
Multi-Stage Systems	Yes
Heat Only Systems	Yes
Cool Only Systems	Yes
Millivolt	No

Power Type

Hardwire - 24 VAC
 Common Wire

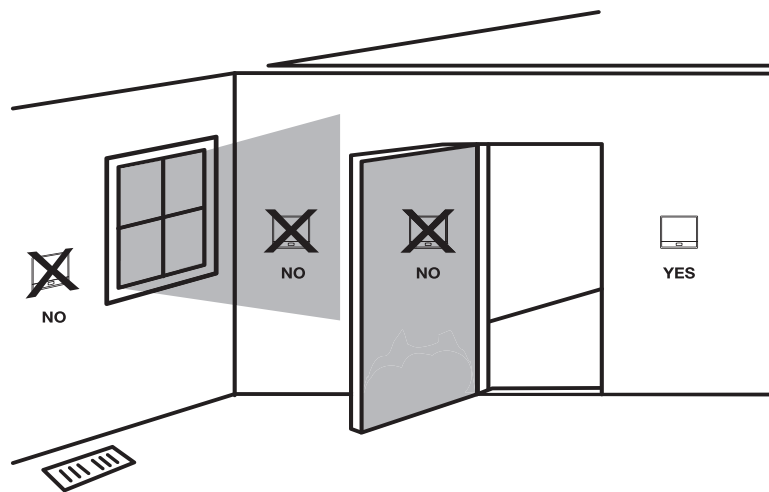
A trained, experienced technician must install this product.

Carefully read these instructions. You could damage this product or cause a hazardous condition if you fail to follow these instructions.

Una version en español de este manual se puede descargar en la pagina web de la compañía.

Table of Contents

Table of Contents	Page
Installation Tips	2-4
Thermostat Quick Reference	5-7
Private Label Badge	8
Wiring	9-10
Wiring Diagrams	11-12
Technician Setup Menu	13-19
WIFI Tech Setup	20
Programming	21-28
Features	29-30
Specifications	31



Do not install thermostat in these locations:

- Close to hot or cold air ducts
- That are in direct sunlight
- With an outside wall behind the thermostat
- In areas that do not require conditioning
- Where there are dead spots or drafts (in corners or behind doors)
- Where there might be concealed chimneys or pipes

Installation Tip

Pick an installation location that is easy for the user to access. The temperature of the location should be representative of the building.

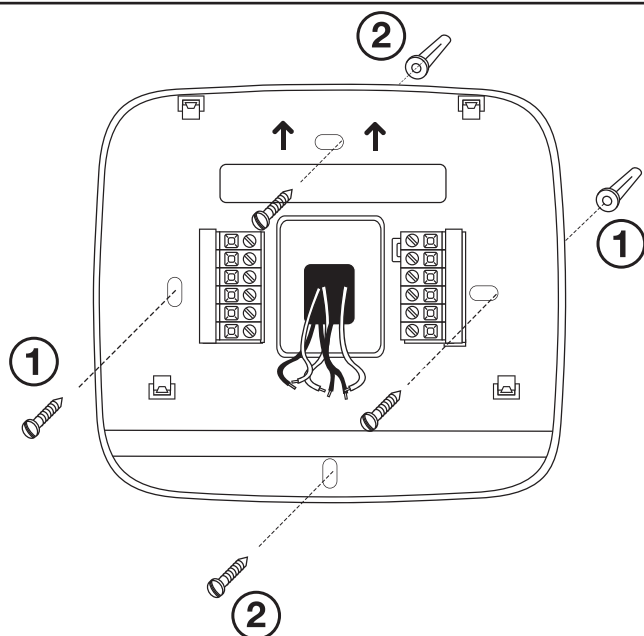
1 © U.S. Registered Trademark. Patents pending
 Copyright © 2018 All Rights Reserved.

Rev. 1821

2

Installation Tips

Subbase Installation



- 1 Horizontal Mount** For horizontal mount put one screw on the left and one screw on the right.
- 2 Vertical Mount** For vertical mount put one screw on the top and one screw on the bottom.

Installation Tip: Electrical Hazard

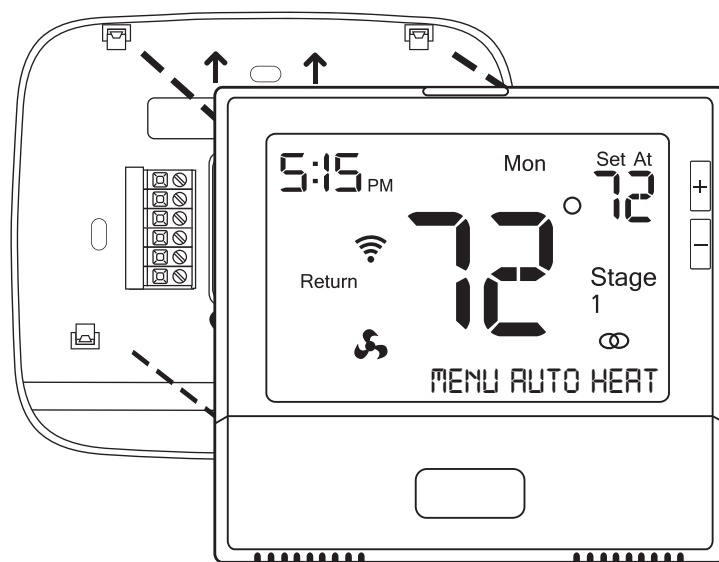
Failure to disconnect the power before beginning to install this product can cause electrical shock or equipment damage.

Mercury Notice

All of our products are mercury free. However, if the product you are replacing contains mercury, dispose of it properly. Your local waste management authority can give you instructions on recycling and proper disposal.

Installation Tips

Mount Thermostat



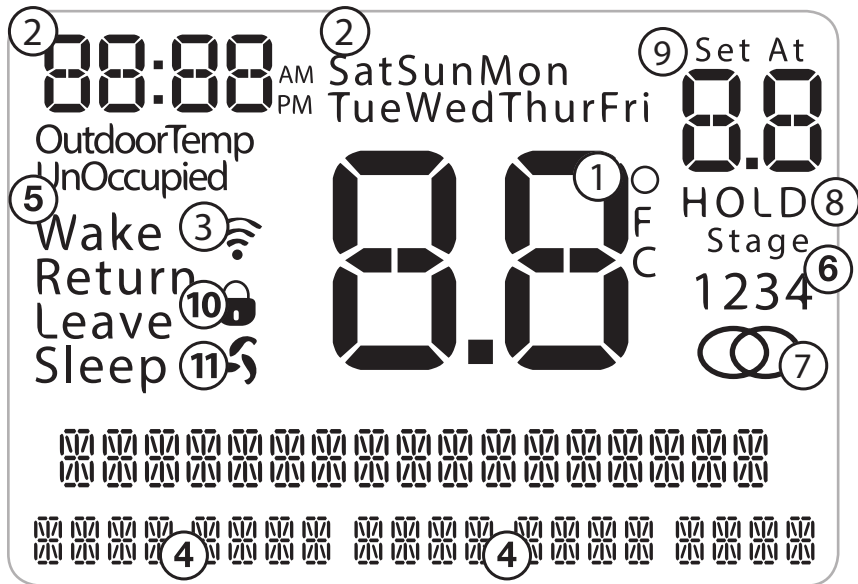
Align the 4 tabs on the subbase with corresponding slots on the back of the thermostat, then push gently until the thermostat snaps in place.

Note: To ensure a solid fit between the thermostat and the subbase:

1. Mount subbase to a flat wall
2. Use screws provided
3. Drywall anchors should be flush with the wall
4. Wires should be pushed into the wall

3

4



- ① Indicates the current room temperature
- ② Time and day of the week
- ③ WIFI Signal Strength
- ④ Button Options
- ⑤ Program Time Periods - Residential: Uses 4 time periods - WAKE, RETURN, LEAVE & SLEEP. Commercial uses 2 time periods - OCCUPIED, UNOCCUPIED.
- ⑥ Staging Indicators: Indicates stages of heat or cool running. The compressor delay feature is active if these are flashing.
- ⑦ WIFI Connection Indicator
- ⑧ Hold: Is displayed when the thermostat program is permanently overridden.
- ⑨ Setpoint: Displays the user selectable setpoint temperature.
- ⑩ Lockout Indicator
- ⑪ Fan Indicator

Wiring

Caution: Electrical Hazard

Failure to disconnect the power before beginning to install this product can cause electrical shock or equipment damage.

Warning:

All components of the control system and the thermostat installation must conform to Class II circuits per the NEC Code.

Wiring

1. If you are replacing a thermostat, make note of the terminal connections on the thermostat that is being replaced. In some cases the wiring connections will not be color coded. For example, the green wire may not be connected to the **G** terminal.
2. Loosen the terminal block screws. Insert wires then retighten the terminal block screws.
3. Place nonflammable insulation into the wall opening to prevent drafts.

Installation Tip

Do not overtighten terminal block screws, as this can damage the terminal block. A damaged terminal block can keep the thermostat from fitting on the subbase correctly or cause system operation issues.

Max Torque = 6in-lbs.

Wiring Tips

C Terminal
This thermostat requires a 24V common wire to the C terminal.

Note:
In many heat pump systems with no emergency heat relay, a jumper can be installed between **E** and **W2** to turn thermostat into a single stage control for Emergency Heat Operation.

Wire Specifications

Use shielded or non-shielded 18-22 gauge thermostat wire.

Wiring

Wiring Chart

For all systems, the following terminals are wired according to whether you have a single or dual transformer system as shown:

	RH	RC	C	G
SINGLE TRANSFORMER SYSTEM	24 VAC Hot JUMPER SHOULD REMAIN INSTALLED		24 VAC Common	Blower / Fan
DUAL TRANSFORMER SYSTEM	24 VAC - Heat *REMOVE PROVIDED JUMPER	24 VAC - Cool *REMOVE PROVIDED JUMPER	24 VAC Common *FROM COOL TRANSFORMER	Blower / Fan

FAILURE TO REMOVE PROVIDED JUMPER ON DUAL TRANSFORMER INSTALLATIONS COULD CAUSE SEVERE DAMAGE TO HVAC SYSTEMS

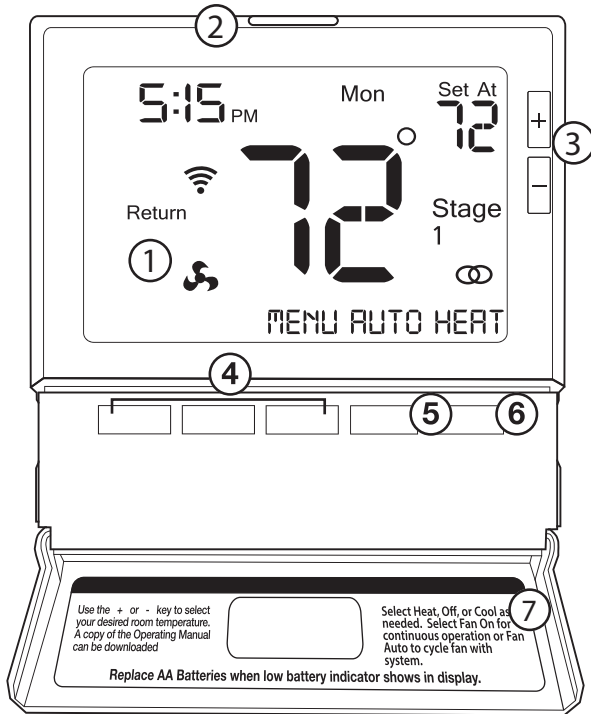
The following terminals on the thermostat wallplate are wired according to the type of HVAC system connected to and how the thermostat is configured.

		Y1	Y2	W/E	W2	O	B
CONVENTIONAL HVAC		COOL MODE STAGE 1	COOL MODE STAGE 2	HEAT MODE STAGE 1	HEAT MODE STAGE 2	-	-
HEAT PUMP	1H / 1C	HEAT 1 COOL1				HEAT PUMP CHANGEOVER VALVE - ENERGIZED DURING COOLING	HEAT PUMP CHANGEOVER VALVE - ENERGIZED DURING HEATING
	2H / 1C			AUX 1	HEAT 2 AUX 2		
	3H / 1C			HEAT 2 AUX 1	HEAT 3 AUX 2		
	2H / 2C		HEAT 2 COOL 2				
	3H / 2C		HEAT 2 COOL 2	AUX 1	HEAT 3 AUX 2		
	4H / 2C		HEAT 2 COOL 2	HEAT 3 EMHEAT	HEAT 4 EMHEAT		

Note

Devices such as a float switch that mechanically break circuits should be installed so that they break the control wire (Y) not the power (R). Interrupting the power circuit will shut off power to the thermostat completely and not allow it to operate.

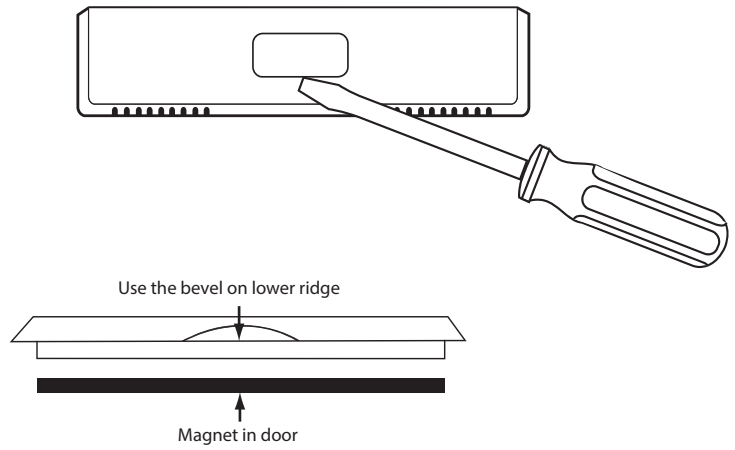
Getting to know your thermostat



- ① LCD Display
- ② Glow in the dark light button
- ③ Temperature Setpoint buttons
- ④ Program buttons
- ⑤ Fan button
- ⑥ System button
- ⑦ Button access door

About The Badge

All of our thermostats use the same universal magnetic badge. Visit the company website to learn more about our free private label program.

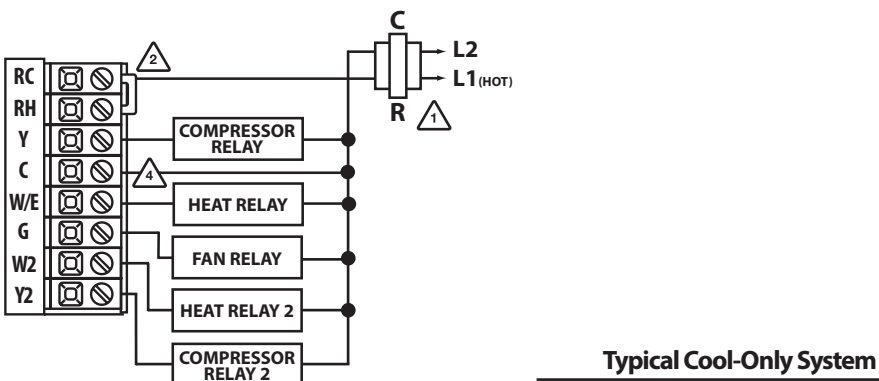


Gently slide a screwdriver into the bottom edge of the badge. Gently turn the screwdriver counter clockwise. The badge is held on by a magnet in the well of the battery door. The badge should pry off easily. **DO NOT USE FORCE.**

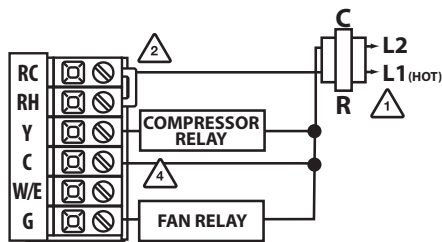
Wiring Diagrams

- ⚠️ 1 Power supply
- ⚠️ 2 Factory-installed jumper. Remove only when installing on 2-transformer systems

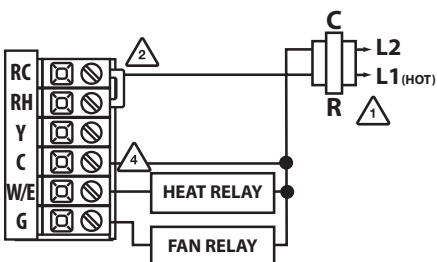
Typical 2H/2C System: 1 Transformer



Typical Cool-Only System



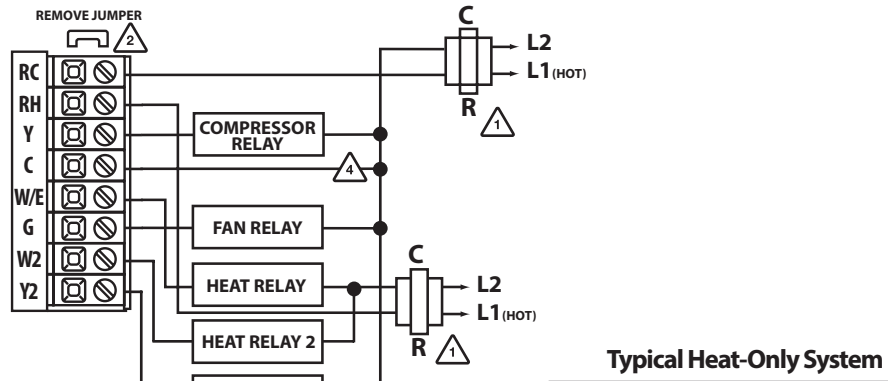
Typical Heat Only System With Fan



Wiring Diagrams

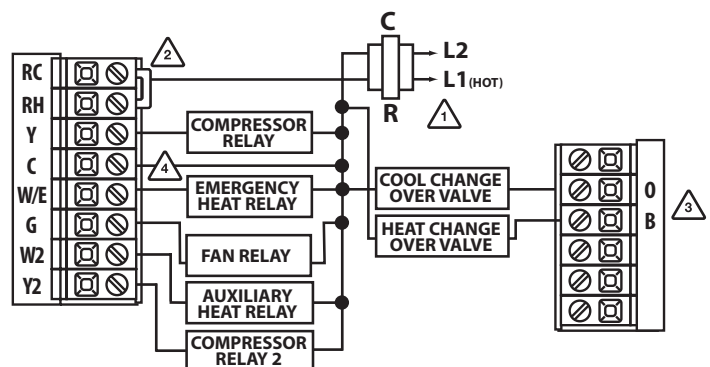
- ⚠️ 3 Use either O or B terminals for changeover valve
- ⚠️ 4 A 24 VAC common connection is required with this thermostat.

Typical 2H/2C System: 2 Transformer



Typical Heat-Only System

Typical 3H/2C or 2H/1C Heat Pump System



Technician Setup Menu

This thermostat has a technician setup menu for easy installer configuration. To set up the thermostat for your particular application:

1. Press the **MENU** button.
2. Press and hold the **TECH** button for 3 seconds. This 3 second delay is designed so that homeowners do not accidentally access the installer settings.
3. Configure the installer options as desired using the table below.

Use the **+** or **-** keys to change settings and the **NEXT** or **PREV** key to move from one step to another.

Note: Only press the **DONE** key when you want to exit the Technician Setup options.

4. Press the **DONE** key to exit.

Tech Setup Steps	LCD Will Show	Adjustment Options	Default
Filter Change Reminder	OFF SE FILTER 0000	You can adjust the filter change reminder from "OFF" to 2000 hours of runtime in 50 hour increments.	OFF
Room Temperature Calibration	CAL 0°F	You can adjust the room temperature display to read up to 4° above or below the factory calibrated reading.	0°F
Minimum Compressor On Time	OFF ON AN	You can set the minimum compressor run time to "OFF", "3", "4", or "5" minutes. If 3, 4 or 5 is selected, the compressor will run for at least the selected time before turning off.	OFF

Keypad Lockout Note: The selected keypad lockout functionality must be activated after exiting tech setup. If you do not perform this procedure, all keys will function freely. To lock the keypad hold down the **+** and **-** keys for 3 seconds. You will see a lock in the display. To unlock the display hold down the **+** and **-** keys for 3 seconds.

Technician Setup Menu

Tech Setup Steps	LCD Will Show	Adjustment Options	Default
Compressor Short Cycle Delay	ON OF CO	The compressor short cycle delay protects the compressor from "short cycling". This feature will not allow the compressor to be turned on for 5 minutes after it was last turned off.	ON
Cooling Swing	dFCO 0.5	The swing setting often called "cycle rate", "differential" or "anticipation" is adjustable. A smaller swing setting will cause more frequent cycles and a larger swing setting will cause fewer cycles.	0.5°
Heating Swing	dFHE 0.4	The swing setting often called "cycle rate", "differential", or "anticipation" is adjustable. A smaller swing setting will cause more frequent cycles and a larger swing setting will cause fewer cycles.	0.4°
Keypad Lockout	PA	Keypad lockout allows you to configure the thermostat so that some or all of the keys don't function. OF= keypad lockout has been disabled. PA= partial keypad lockout, which locks all the keys except the + or - keys. FU= full keypad lockout, which locks out all the keys. See Keypad Lockout Note	PA

Swing Setting Tip

The second stage will turn on at 2x the swing setting. The second stage will turn off when 1x the swing is reached. For example, if the swing setting is .5 degrees for heating and the thermostat is set at 70°F, the first stage will turn on at approximately 69.5°F. The second stage will turn on at 69°F. The second stage will turn off at 69.5°F and the first will turn off at 70.5°F. If the third stage is used, it will turn on at 68.5°F and turn off at approximately 69°F.

13

14

Technician Setup Menu

Tech Setup Steps	LCD Will Show	Adjustment Options	Default
Heat Pump	OFF	OFF configures the thermostat for non heat pump systems. ON configures the thermostat for heat pump systems.	OFF
System Set	SE HEAT OFF COOL	Use the + or - key until the desired application is flashing. Auto= Auto changeover* See note below.	HEAT OFF COOL
Dual Fuel Auxiliary for Heat Pump <small>Will only appear if Heat Pump setting is turned ON</small>	ON AG	OFF Will allow Y(1st stage of Heat) and W2 (Aux Heat) to run together if called for. ON Will de-energize Y terminal 45 seconds after a call for Auxiliary Heat (W2).	OFF
Stages of Heat + Cool	2H2C	Use the + or - key to first select stages of heat, press next- then select stages of cool. 3 or 4 heat will use Y1 and Y2 as 1st and 2nd stage of heat.	2 STAGES

Technician Setup Menu

Tech Setup Steps	LCD Will Show	Adjustment Options	Default
Cooling Fan Delay	OFF COOL FAN DL	You can set the cooling fan delay to OFF, 15, 30, 60 or 90 seconds. If 15, 30, 60, or 90 is selected the fan will not turn on for that many seconds when there is a call for cool and will run for that many seconds after satisfying a call for cool.	OFF
IAQ Mode Cycle	OFF IAQ MODE CYCLES	Select OFF, 1, 2, 3 or 4 with the + or - keys. This sets the number of cycles per hour that the IAQ fan mode will operate.	OFF
IAQ Mode Minutes	10 IAQ MODE M INUT	Select 1, 5, 10, 15, 20, 30 or 45 minutes. When IAQ fan mode is enabled, it will ensure the fan runs at least the selected number of minutes per IAQ Mode Cycle. This step will not appear if previous step is set to "OFF".	1
Satisfy Setpoint	OFF SS STAG ING	Use the + or - key to turn on or off.	OFF
Staging Delay	OFF STRG ING d I	Use the + or - key to select OFF, 5, 10, 15, 30, 45, 60, or 90 minutes.	OFF

Auto Changeover Note: When using Auto Changeover you must maintain at least a 3° differential with the Heat and Cool setpoints.

17

18

Technician Setup Menu

Tech Setup Steps	LCD Will Show	Adjustment Options	Default
Heating Temperature Setpoint Limit This feature allows you to set a maximum heating setpoint limit. The setpoint temperature cannot be raised above this value.	90 HE	Use the [+] or [-] key to select the maximum heat setpoint.	90°F
Cooling Temperature Setpoint Limit This feature allows you to set a minimum cooling setpoint limit. The setpoint temperature cannot be lowered below this value.	44 CO	Use the [+] or [-] key to select the minimum cool setpoint.	44°F
°F or °C This feature allows you to display temperatures in either Fahrenheit or Celsius.	°F 78° F	°F for Fahrenheit °C for Celsius	°F
12 or 24 Hour Clock You can select either a 12 or 24 hour clock setting.	12H	Use the [+] or [-] key to select 12 or 24 hour clock.	12 HOUR CLOCK
Fan Operation Select GAS for systems that control the fan during a call for heat. Select ELEC to have the thermostat control the fan during a call for heat.	ELE	GAS or ELEC Note: This step will not show if set for heat pump.	GAS
Morning Recovery This feature will start heating early to bring the building temperature to its programmed setpoint by the beginning of the WAKE, OCCUPIED time period.	OFF	Use the [+] or [-] key to turn on or off. It will default to electric.	OFF
Program Options You can configure this thermostat to have a 7 day program, a 5+1+1 program or as nonprogrammable.	5d	Use the [+] or [-] key to select 7d for 7 day, 5d for 5+1+1, or 0d for nonprogrammable.	5d
Time Periods You can configure this thermostat to have 2 or 4 programmable time periods per day. 4 time periods are Wake, Leave, Return & Sleep. 2 Time periods are Occupied and Unoccupied.	4	Use the [+] or [-] key to select 4 or 2 time periods per day.	4

15

Technician Setup Menu

Tech Setup Steps	LCD Will Show	Adjustment Options	Default
Humidity Pad Reminder Enables a reminder for the user to change the humidity pad.	OFF HUM PAD 2000	Use the [+] or [-] key to select OFF, 600, 1000, 1500, or 2000. These represent hours of heat operation.	OFF
UV Lamp Reminder Enables a reminder for the user to change the UV light bulb.	OFF UV LAMP 00000	Use the [+] or [-] key to select OFF, 1YEAR, 2YEAR.	OFF
IAQ Cell Reminder Enables a reminder for the user to change the PHI Cell after 25,000 hrs.	OFF IQC CELL 25000	Use the [+] or [-] key to select OFF, or 250 (stands for 25,000 hours).	OFF

A Note about IAQ Mode

This programmable/selectable mode will operate the fan 1-4 cycles per hour, 1-45 minutes per cycle. Once programmed in tech setup, to enable this mode select "IAQ" with the fan key. Disable this mode by selecting "ON" or "AUTO" with the fan key.

Reminders

Once a reminder has been turned on and set, the elapsed time can be checked by navigating to its tech setup step. The elapsed time will then appear in the text field. It can also be reset at that time by holding down the Set Time/Next Step button for 3 seconds. Resetting an expired reminder can be done without entering tech setup, by holding down the Set Time/Next Step button for 3 seconds from the home screen.

19

Technician Setup Menu

Tech Setup Steps	LCD Will Show	Adjustment Options	Default
Pre-Occupancy Fan The pre-occupancy fan settings will energize the fan before the occupied time to provide ventilation prior to scheduled occupancy. This feature only shows if the technician setup step for time periods is set to 2.	OFF PRE OCCUPY FAN	You can select the pre-occupancy fan from OFF, 1, 2, or 3 hours. If 1, 2, or 3 is selected, the fan will turn on that many hours prior to the scheduled occupied time period.	OFF
Display Light The display light can be configured to operate 3 different ways. To come on only when the light key is pressed, when any key is pressed, or stay on ALL of the time.	AUTO DL	'OFF' - Only light key ON 'AUTO' - Any key ON 'ON' - Always ON	AUTO
Contractor Call Number Allows you to put your phone number in the display. You can choose ON or OFF.	ON b	If selected ON, you will see the input screen after pressing NEXT STEP . Use the [+] or [-] key to select the desired number and the FAN or SYSTEM key to move from one character to another. See note below for operation.	OFF
Beep When any key is pressed an audible beep will sound. You can choose ON or OFF.	ON b	If ON is selected the beep will sound. If OFF is selected there is no sound.	ON

Contractor Call Number Note

If contractor call number is selected ON, the phone number entered will show in the display if there has been a continuous call for heating or cooling for 24 hours or if the light button is held down for 3 seconds. To remove the phone number from the display, hold the light button down for 3 seconds.

16

WIFI Technician Setup Menu

These steps/options are only used for trouble shooting, re-setting or restoring to default the WIFI settings of the thermostat. They are not needed for installation or initial setup.

1. Press **MENU** button.
2. Press **WIFI** button. This enters the 2 informational steps.
3. At this point press and hold **TECH** to enter advanced settings.
4. Press **NEXT** to move from one to the other.
5. Press **DONE** or **EXIT** when finished.

WIFI Tech Setup Steps	LCD Will Show	Adjustment Options	Default
Firmware Version This step shows the version of firmware that is installed on the thermostat.	WiFi VER NEXT DONE TECH	Press NEXT button to move to next step. Press DONE button to exit. Press and hold TECH button to enter ADVANCED TECH STEPS.	
SSID Number This step shows the SSID number of the thermostat. (Network it is connected to)	WiFi SSID NEXT DONE TECH	Press NEXT button to move to next step. Press DONE button to exit. Press and hold TECH button to enter ADVANCED TECH STEPS.	

WIFI Advanced Tech Setup Steps	LCD Will Show	Adjustment Options	Default
Provisioning Reset This step allows you to reset the thermostat to connect to a different WIFI network.	RESET PROV IS 40N 44G NEXT YES EXIT	Press YES to reset.	
WIFI Module Reset This step resets the communication of the WIFI module.	RESET WiFi MODULE NEXT YES EXIT	Press YES to reset.	
Factory Default Reset This step resets all WIFI settings to factory default.	RESET TO DEFAULT NEXT YES EXIT	Press YES to reset.	

20

Set Time

Follow the steps below to set the day of the week and current time:

1. Press the **MENU** button.
2. Press **TIME**.
3. Day of the week is flashing. Use the **+** or **-** key to select the current day of the week.
4. Press **NEXT**.
5. The current hour is flashing. Use the **+** or **-** key to select the current hour. When using 12-hour time, make sure the correct a.m. or p.m. choice is selected.
6. Press **NEXT**.
7. Minutes are now flashing. Use the **+** or **-** key to select current minutes.
8. Press **DONE** when completed.

Programming

All our programmable thermostats are shipped with an energy saving default program. You can customize this default program by following the instructions in the **set program schedule section** starting on page 24.

Your thermostat can be programmed to have each day of the week programmed uniquely (7 days), all the weekdays the same with a separate program for Saturday and a separate program for Sunday (5+1+1), or non-programmable. For the 7-day and 5+1+1 programming modes, there are two time period options.

1. "4" Residential (**WAKE, LEAVE, RETURN, SLEEP**)
2. "2" Commercial (**OCCUPIED, UNOCCUPIED**)

This thermostat has a programmable fan feature, which allows you to run the fan continually during any time period.

Set Program Schedule For Four Time Periods

(WAKE, LEAVE, RETURN, or SLEEP)

To customize your 5+1+1 Program schedule, follow these steps:

Weekday:

1. Select **HEAT** or **COOL** with the system switch.
Note: You have to program heat and cool each separately.
2. Press the **MENU** button (If menu does not appear first press **RUN**).
3. Press **SCHED**. **Note:** Monday-Friday is displayed and the **WAKE** icon is shown. You are now programming the **WAKE** time period for that day.
4. Time is flashing. Use the **+** or **-** key to make your time selection for the weekday **WAKE** time period.
Note: If you want the fan to run continuously during this time period, select **ON** with the **FAN** key. If you want to use **IAQ** mode during this time period, select **IAQ** with the **FAN** key.
5. Press **NEXT**.
6. The setpoint temperature is flashing. Use the **+** or **-** key to make your setpoint selection for the weekday **WAKE** period.
7. Press **NEXT**.
8. Repeat steps 4 through 7 for the weekday **LEAVE** time period, for the weekday **RETURN** time period, and for the weekday **SLEEP** time period.

Saturday:

Repeat steps 4 through 7 for the Saturday **WAKE** time period, for the Saturday **LEAVE** time period, for the Saturday **RETURN** time period, and for the Saturday **SLEEP** time period.

Sunday:

Repeat steps 4 through 7 for the Sunday **WAKE** time period, for the Sunday **LEAVE** time period, for the Sunday **RETURN** time period, and for the Sunday **SLEEP** time period.

Default Programming

Factory Default Program				
Day of the Week	Events	Time	Setpoint Temperature (HEAT)	Setpoint Temperature (COOL)
Weekday	Wake	6 AM	70°F (21°C)	75°F (24°C)
	Leave	8 AM	62°F (17°C)	83°F (28°C)
	Return	6 PM	70°F (21°C)	75°F (24°C)
	Sleep	10 PM	62°F (17°C)	78°F (26°C)
Saturday	Wake	6 AM	70°F (21°C)	75°F (24°C)
	Leave	8 AM	62°F (17°C)	83°F (28°C)
	Return	6 PM	70°F (21°C)	75°F (24°C)
	Sleep	10 PM	62°F (17°C)	78°F (26°C)
Sunday	Wake	6 AM	70°F (21°C)	75°F (24°C)
	Leave	8 AM	62°F (17°C)	83°F (28°C)
	Return	6 PM	70°F (21°C)	75°F (24°C)
	Sleep	10 PM	62°F (17°C)	78°F (26°C)

To customize your 7 day Program schedule, follow these steps:

Monday:

1. Select **HEAT** or **COOL** with the **SYSTEM** key.
Note: You have to program heat and cool each separately.
2. Press the **MENU** button (If menu does not appear first, press **RUN**).
3. Press **SCHED**. **Note:** Monday is displayed and the **WAKE** icon is shown. You are now programming the **WAKE** time period for that day.
4. Time is flashing. Use the **+** or **-** key to make your time selection for that day's **WAKE** time period.
Note: If you want the fan to run continuously during this time period, select **ON** with the **FAN** key. If you want to use **IAQ** mode during this time period, select **IAQ** with the **FAN** key.
5. Press **NEXT**.
6. The setpoint temperature is flashing. Use the **+** or **-** key to make your setpoint selection for that day's **WAKE** period.
7. Press **NEXT**.
8. Repeat steps 4 through 7 for that day's **LEAVE** time period, for that day's **RETURN** time period, and for that day's **SLEEP** time period.

Repeat steps 4 through 8 for the remaining days of the week.

A Note About Auto Changeover:

In Auto you have the ability to switch between Auto Heat or Auto Cool by pressing the system key. This can be done once the current mode has reached its setpoint. For example: if in Auto Heat, the heat setpoint must be satisfied before the thermostat will allow you to switch to Auto Cool. You can switch out of Auto by holding down the system key. To get back into Auto, you must toggle the system key to Auto.

Factory Default Program for 2 Time Periods				
Day of the Week	Events	Time	Setpoint Temperature (HEAT)	Setpoint Temperature (COOL)
Weekday	OCCUPIED	8 AM	70°F (21°C)	72°F (22°C)
	UNOCCUPIED	6 PM	64°F (18°C)	80°F (27°C)
Saturday	OCCUPIED	8 AM	70°F (21°C)	72°F (22°C)
	UNOCCUPIED	6 PM	64°F (18°C)	80°F (27°C)
Sunday	OCCUPIED	8 AM	70°F (21°C)	72°F (22°C)
	UNOCCUPIED	6 PM	64°F (18°C)	80°F (27°C)

You can use the table on the next page to plan your customized program schedule if using 5+1+1.

Custom Program				
Day of the Week	Events	Time	Setpoint Temperature (HEAT)	Setpoint Temperature (COOL)
Weekday	Wake			
	Leave			
	Return			
	Sleep			
	Occupied			
	Unoccupied			
Saturday	Wake			
	Leave			
	Return			
	Sleep			
	Occupied			
	Unoccupied			
Sunday	Wake			
	Leave			
	Return			
	Sleep			
	Occupied			
	Unoccupied			

Set Program Schedule For Two Time Periods (OCCUPIED, UNOCCUPIED)

To customize your 5+1+1 Program schedule, follow these steps:

Weekday:

1. Select **HEAT** or **COOL** with the **SYSTEM** key.
Note: You have to program heat and cool each separately.
2. Press the **MENU** button (If menu does not appear first, press **RUN**).
3. Press **SCHED**. **Note:** Monday-Friday is displayed and the **OCCUPIED** text is shown. You are now programming the **OCCUPIED** time period for the weekday setting.
4. Time is flashing. Use the **+** or **-** key to make your time selection for the weekday **OCCUPIED** time period.
Note: If you want the fan to run continuously during this time period, select **ON** with the **FAN** key. If you want to use **IAQ** mode during this time period, select **IAQ** with the fan key.
5. Press **NEXT**.
6. The setpoint temperature is flashing. Use the **+** or **-** key to make your setpoint selection for the weekday **OCCUPIED** period.
7. Press **NEXT**.
8. Repeat steps 4 through 7 for the weekday **UNOCCUPIED** time period.

Saturday:

Repeat steps 4 through 7 for the Saturday **OCCUPIED** time period and for the Saturday **UNOCCUPIED** time period.

Sunday:

Repeat steps 4 through 7 for the Sunday **OCCUPIED** time period, and for the Sunday **UNOCCUPIED** time period.

To customize your 7 day program schedule, follow these steps:

Monday:

1. Select **HEAT** or **COOL** with the **SYSTEM** key.
Note: You have to program heat and cool each separately.
2. Press the **MENU** button (If menu does not appear first press **RUN**).
3. Press **SCHED**. **Note:** Monday is displayed and the **OCCUPIED** text is shown. You are now programming the **OCCUPIED** time period for that day.
4. Time is flashing. Use the **+** or **-** key to make your time selection for that day's **OCCUPIED** time period.
Note: If you want the fan to run continuously during this time period, select **ON** with the **FAN** key. If you want to use **IAQ** mode during this time period, select **IAQ** with the fan key.
5. Press **NEXT**.
6. The setpoint temperature is flashing. Use the **+** or **-** key to make your setpoint selection for that day's **OCCUPIED** period.
7. Press **NEXT**.
8. Repeat steps 4 through 7 for that day's **UNOCCUPIED** time period.

Repeat steps 4 through 8 for the remaining days of the week.

A Note About Programmable Fan:

The programmable fan feature will run the fan continuously during any time period it is programmed to be on. This is the best way to keep the air circulated and to eliminate hot and cold spots in your building. If using **IAQ** mode, set fan to **IAQ** for any time period.

Temporary & Permanent Hold Feature

Temporary Hold: The thermostat will display **HOLD** and **RUN** on the bottom of the screen when you press the **+** or **-** key. If you do nothing, the temperature will remain at this setpoint temporarily for 4 hours. The program setpoint will then replace the temporary setpoint.

Permanent Hold: With a temporary hold set, If you press the **HOLD** key at the bottom of your screen, you will see **HOLD** appear below the setpoint temperature in the display. The thermostat will now permanently stay at this setpoint and can be adjusted using the **+** or **-** keys.

To Return To Program: Press the **RUN** key at the bottom of the screen to exit temporary and permanent holds.

Filter Change & Other Reminders

If the filter change reminder is enabled, you will see a reminder in the display when your air filter needs changed. The reminder will be shown in the display after your system has run long enough to require an air filter change.

Resetting The Filter Change Reminder: When the reminder is displayed, you should change your air filter and reset the reminder by holding down the 2nd button from the left side of the thermostat for 3 seconds.

This thermostat also has other maintenance reminders (Humidity Pad, UV lamp, and IAQ Cell), that are reset with the same procedure.

Specifications

Specifications

The display range of temperature ...	41°F to 95°F (5°C to 35°C)
The control range of temperature....	44°F to 90°F (7°C to 32°C)
Load Rating.....	1 amp per terminal, 1.5 amp maximum all terminals combined
Swing (cycle rate or differential)	Heating is adjustable from 0.2° to 2.0° Cooling is adjustable from 0.2° to 2.0°
Power source	18 to 30 VAC, NEC Class II, 50/60 Hz for hardwire
Operating ambient	32°F to +105°F (0°C to +41°C)
Operating humidity	90% non-condensing maximum
Dimensions of thermostat	4.7" W x 4.3" H x 0.9" D

WIFI

Frequency Range.....	2.4 GHz ISM radio band
WIFI	Supporting 802.11 B/G/N Standards