

VIVE TP-S-755R

COMFORT

Vive Comfort
 P.O. Box 3377
 Springfield, MO 65804
 Toll Free : 888-776-1427
 Web: www.vivecomfort.com
 Hours of Operation: M-F 9AM - 6PM Eastern

Thermostat Application Guide

Description	
Gas or Oil Heat	Yes
Electric Furnace	Yes
Heat Pump (No Aux. or Emergency Heat)	Yes
Heat Pump (With Aux. or Emergency Heat)	Yes
Multi-Stage Systems	Yes
Heat Only Systems	Yes
Cool Only Systems	Yes
Millivolt	Yes

Power Type

Battery Power
 Hardwire (Common Wire)
 Hardwire (Common Wire) with
 Battery Backup

A trained, experienced technician must install this product.

Carefully read these instructions. You could damage this product or cause a hazardous condition if you fail to follow these instructions.

Una version en español de este manual se puede descargar en la pagina web de la compañía.

Table of Contents

Page

Installation Tips	2-3
Thermostat Quick Reference	4-5
Wiring	6
Wiring Diagrams	7-9
Features	10
Technician Setup	11-16
Programming Thermostat	17-20

Specifications

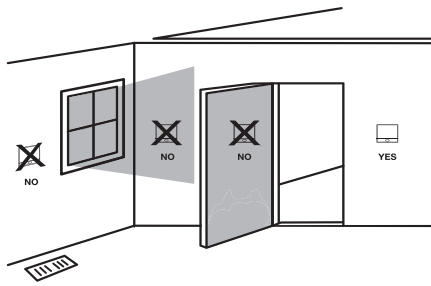
The display range of temperature ... 41°F to 95°F (5°C to 35°C)
 The control range of temperature.... 44°F to 90°F (7°C to 32°C)
 Swing (cycle rate or differential) Heating is adjustable from 0.2° to 2.0°
 Cooling is adjustable from 0.2° to 2.0°
 Power source 18 to 30 VAC, NEC Class II, 50/60 Hz
 for hardwire
 Battery power from 2 AA Alkaline batteries
 Operating ambient 32°F to +105°F (0°C to +41°C)
 Operating humidity 90% non-condensing maximum
 Dimensions of thermostat 4.7"W x 4.4"H x 1.1"D

1 © U.S. Registered Trademark. Patents pending
 Copyright © 2018 All Rights Reserved.

Rev. 1821

Wall Locations

The thermostat should be installed approximately 4 to 5 feet above the floor. Select an area with average temperature and good air circulation.



Do not install thermostat in locations:

- Close to hot or cold air ducts
- That are in direct sunlight
- With an outside wall behind the thermostat
- In areas that do not require conditioning
- Where there are dead spots or drafts (in corners or behind doors)
- Where there might be concealed chimneys or pipes

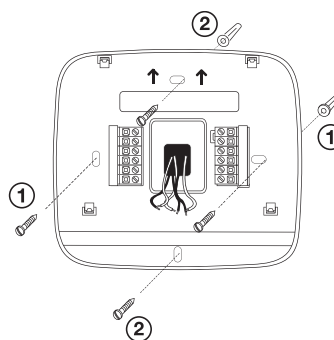


Installation Tip

Pick an installation location that is easy for the user to access. The temperature of the location should be representative of the building.

Subbase Installation

- 1 Horizontal Mount
- 2 Vertical Mount



For vertical mount put one screw on the top and one screw on the bottom.
 For horizontal mount put one screw on the left and one screw on the right.



Installation Tip: Electrical Hazard

Failure to disconnect the power before beginning to install this product can cause electrical shock or equipment damage.



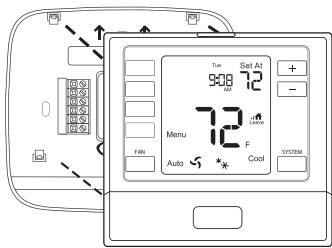
Mercury Notice

All of our products are mercury free. However, if the product you are replacing contains mercury, dispose of it properly. Your local waste management authority can give you instructions on recycling and proper disposal.

Installation Tips

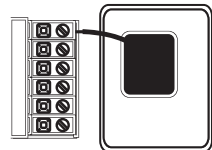
Mount Thermostat

Align the 4 tabs on the subbase with corresponding slots on the back of the thermostat, then push gently until the thermostat snaps in place.



Battery Installation

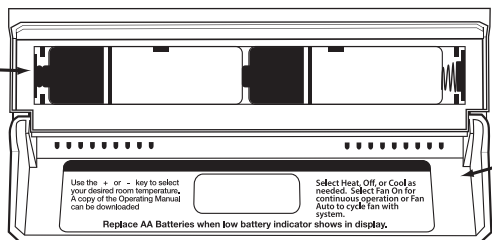
Battery installation is recommended even if thermostat is hardwired (C terminal connected). When thermostat is hardwired and batteries are installed, the thermostat will activate a compressor delay of 5 minutes when the thermostat detects a power outage from the hardwired power supply.



Important:

High quality alkaline batteries are recommended. Rechargeable batteries or low quality batteries do not guarantee a 1-year life span.

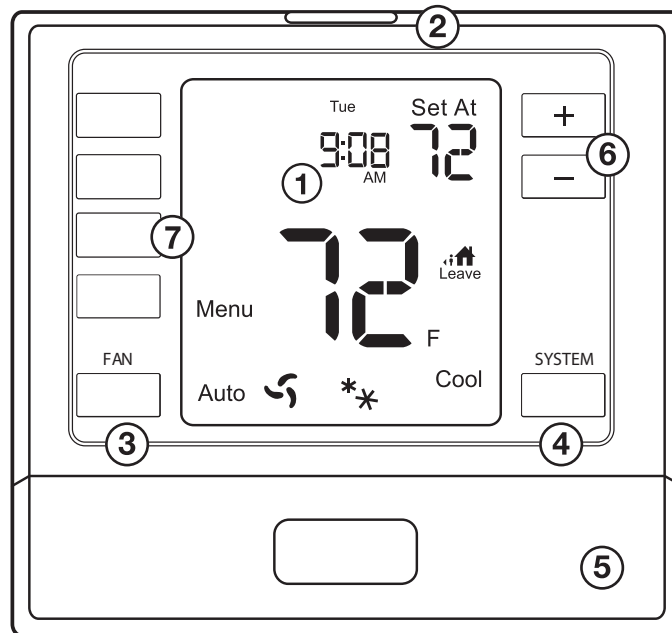
Insert 2 AA Alkaline batteries (included). High quality alkaline batteries are recommended.



Simple operating instructions are found on the back of the battery door.

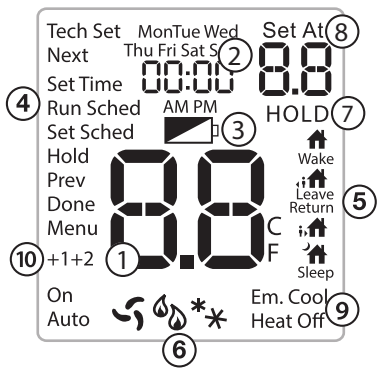
Thermostat Quick Reference

Getting to know your thermostat



- 1 LCD Display
- 2 Glow in the dark light button
- 3 Fan Button
- 4 System Button
- 5 Easy change battery door
- 6 Temperature Setpoint Buttons
- 7 User Buttons

Getting to know your thermostat



- ① Indicates the current room temperature
- ② Time and day of the week
- ③ **Low Battery Indicator:** Replace batteries when this indicator is shown.
- ④ **Menu Options:** Shows different options.
- ⑤ **Program Time Periods:** This thermostat has 4 programmable time periods per day.
- ⑥ **System Operation Indicators:** The COOL ON **, HEAT ON 🔥 or 🌀 (fan) is on. **The compressor delay feature is active if these are flashing.**
- ⑦ **Hold** is displayed when the thermostat program is permanently overridden.
- ⑧ **Setpoint:** Displays the selected setpoint temperature.
- ⑨ **System:** Indicates current mode of operation.
- ⑩ **Stages:** +1 will appear in the display when second stage of heat or cool is on. +2 will appear for third stage of heat.

Important

The low battery indicator is displayed when the AA battery power is low. If the user fails to replace the battery within 21 days, the screen will only show the low battery indicator but maintain all functionality. If the user fails to replace the batteries after an additional 21 days (days 22-42 since first "low battery" display) the setpoints will change to 55°F (Heating) and 85°F (Cooling). If the user adjusts the setpoint away from either of these, it will hold for 4 hours then return to either 55°F or 85°F. After day 63 the batteries must be replaced immediately to avoid freezing or overheating because the thermostat will shut the unit off until the batteries are changed.

Wiring

1. If you are replacing a thermostat, make note of the terminal connections on the thermostat that is being replaced. In some cases the wiring connections will not be color coded. For example, the green wire may not be connected to the **G** terminal.
2. Loosen the terminal block screws. Insert wires then retighten terminal block screws.
3. Place nonflammable insulation into wall opening to prevent drafts.

Caution: Electrical Hazard

Failure to disconnect the power before beginning to install this product can cause electrical shock or equipment damage.

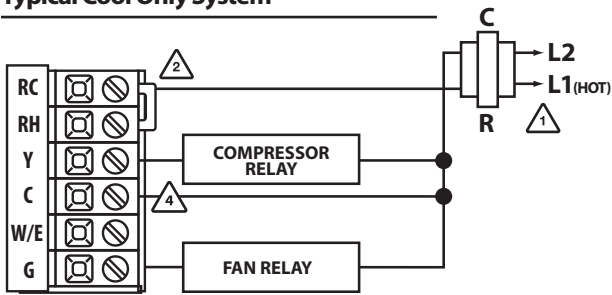
Warning:

All components of the control system and the thermostat installation must conform to Class II circuits per the NEC Code.

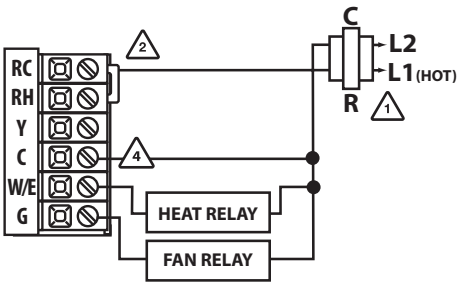
Terminal	2 Heat 2 Cool Conventional System	2 Heat 2 Cool Heat Pump System	3 Heat 2 Cool Heat Pump System
RC	Transformer power (cooling)	Transformer power (cooling)	Transformer power (cooling)
RH	Transformer power (heating)	Transformer power (heating)	Transformer power (heating)
C	Transformer common	Transformer common	Transformer common
B	Energized in heating	Heat pump changeover valve energized in heating	Heat pump changeover valve energized in heating
O	Energized in cooling	Heat pump changeover valve energized in cooling	Heat pump changeover valve energized in cooling
G	Fan relay	Fan relay	Fan relay
W/E	First stage of heat	First stage of emergency heat	First stage of emergency heat
Y	First stage of cool	First stage of heat & cool	First stage of heat & cool
Y2	Second stage of cool	Second stage of cool	Second stage of cool & second stage of heat
W2	Second stage of heat	Auxiliary heat relay, second stage of heat	Auxiliary heat relay, third stage of heat
S1/S2	Remote Sensor	Remote Sensor	Remote Sensor

Wiring Diagrams

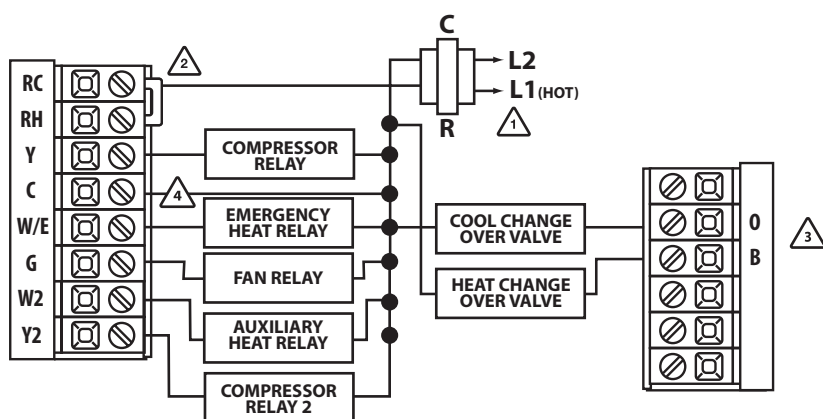
Typical Cool Only System



Typical Heat Only System With Fan



Typical 3H/2C or 2H/1C Heat Pump System



Features

Temporary and Permanent Hold Feature (If using programming)

When cool or heat is turned on, the thermostat will display **HOLD** and **RUN SCHED** on the left of your screen when you press the **+** or **-** button.

Temporary Hold: At this time if you do nothing, the temperature will remain at this setpoint temporarily for 4 hours.

Permanent Hold: If you press the **HOLD** key on the left of your screen, you will see **HOLD** appear below the setpoint temperature in the display. The thermostat will now permanently stay at this setpoint and can be adjusted using the **+** or **-** keys.

To Return to Running Schedule: Press the **RUN SCHED** button on the left of your screen to exit either temporary or permanent hold.

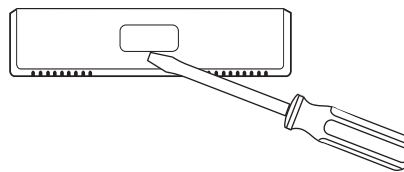
Filter Change Reminder

If your installing contractor has configured the thermostat to remind you when the air filter needs to be changed, you will see **FILT** in the display when your air filter needs to be changed.

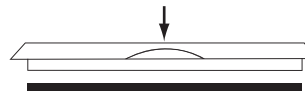
Resetting the filter change reminder: When **FILT** reminder is displayed, you should change your air filter and reset the reminder by holding down the second button from the top left side of the thermostat for 3 seconds.

About The Private Label Badge

All of our thermostats use the same universal magnetic badge. Visit the company website to learn more about our free private label program.



Use the bevel on lower ridge



Magnet in door

Gently slide a screwdriver into the bottom edge of the badge. Gently turn the screwdriver counter clockwise. The badge is held on by a magnet in the well of the battery door. The badge should pry off easily. **DO NOT USE FORCE.**

Wiring Tips

C Terminal

The C (common wire) terminal does not have to be connected when the thermostat is powered by batteries.

Wire Specifications

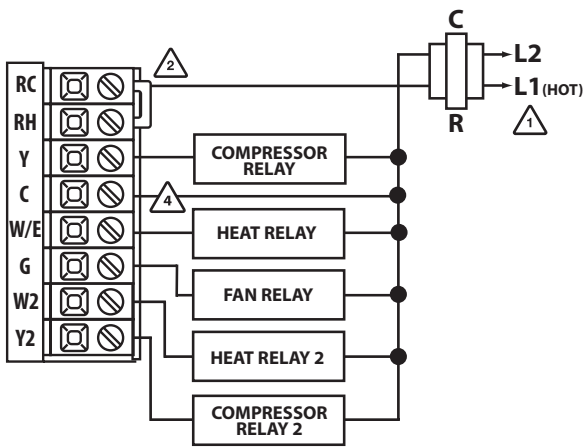
Use shielded or non-shielded 18-22 gauge thermostat wire.



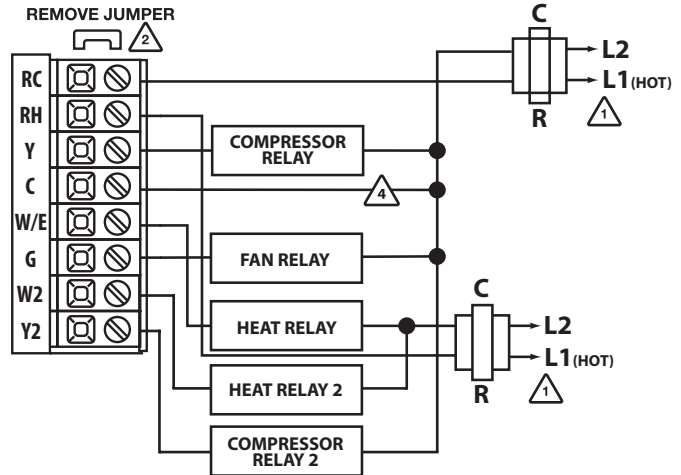
Installation Tip: Do not overtighten terminal block screws, as this can damage the terminal block. A damaged terminal block can keep the thermostat from fitting on the subbase correctly or cause system operation issues. **Max Torque = 6in-lbs.**

- 1 Power supply
- 2 Factory - installed jumper. Remove only when installing on a 2 transformer systems.
- 3 Use either O or B terminals for changeover valve.
- 4 Optional 24 VAC common connection when thermostat is used in battery power mode.

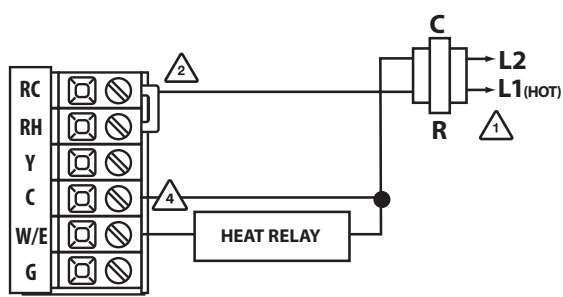
Typical 2H/2C System: 1 Transformer



Typical 2H/2C System: 2 Transformer



Typical Heat-Only System



7

8

Tech Settings

Technician Setup Menu

This thermostat has a technician setup menu for easy installer configuration. To setup the thermostat for your particular application:

1. Press the **MENU** button
2. Press and hold **TECH SET** button for 3 seconds. This 3 second delay is designed so that homeowners do not accidentally access the installer settings.
3. Configure the installer options as desired using the table below.

Use the **+** or **-** keys to change settings and the **NEXT STEP** or **PREV STEP** key to move from one step to another. **Note:** Only press the **DONE** key when you want to exit the Technician Setup options.

Tech Settings	LCD Will Show	Adjustment Options	Default
Filter Change Reminder	Next: SE OFF FI Prev Done	You can adjust the filter change reminder from OFF to 2000 hours of runtime in 50 hour increments. Tap the second button from the top left side of the thermostat to display the current filter elapsed runtime.	OFF
Room Temperature Calibration	Next: CAL 0 Prev Done	You can adjust the room temperature display to read 4° above or below the factory calibrated reading.	0
Minimum Compressor On Time	Next: COMN OF Prev Done	You can select the minimum compressor run time from "off", "3", "4", or "5" minutes. If 3, 4, or 5 is selected, the compressor will run for at least the selected time before turning off.	OFF
Compressor Short Cycle Delay	Next: CDLY ON Prev Done	Selecting ON will not allow the compressor to be turned on for 5 minutes after the last time the compressor was switched off. Select OFF to remove this delay.	ON

Tech Settings

Tech Settings	LCD Will Show	Adjustment Options	Default
Cooling Swing	Next: dFCO 05 Prev Done	The swing setting often called "cycle rate", "differential" or "anticipation" is adjustable. A smaller swing setting will cause more frequent cycles and a larger swing setting will cause fewer cycles.	0.5
Heating Swing	Next: dFHE 04 Prev Done	The swing setting often called "cycle rate", "differential" or "anticipation" is adjustable. A smaller swing setting will cause more frequent cycles and a larger swing setting will cause fewer cycles.	0.4
Morning Recovery	Next: MORN ON Prev Done	This feature will start heating early to bring the building temperature to its programmed setpoint by the beginning of the WAKE time period.	ON
Heating Setpoint Limit	90 HE	This feature allows you to set a maximum heat setpoint value. The setpoint temperature cannot be raised above this value.	90
Cooling Setpoint Limit	44 CO	This feature allows you to set a minimum cool setpoint value. The setpoint temperature cannot be lowered below this value.	44
F or C	Next: FORC OF Prev Done	Select F for Fahrenheit temperature read out or select C for Celsius read out.	F

Swing Setting Tip

Temperature swing, sometimes called differential or cycle rate, can be customized for this individual application. For most applications choose a swing setting that is as long as possible without making the occupants uncomfortable.

11

12

Tech Settings	LCD Will Show	Adjustment Options	Default
12 or 24 Hour Clock	Next CLOCK 12 Prev Done	Use the + and - to select 12 or 24 hour clock.	12
Fan Operation	Next FAN GA Prev Done	GAS - GS or ELEC - EL	GAS
Program Options	Next PROG 5d Prev Done	Use the + and - key to select 7d for 7 Day, 5d for 5+1+1, or 0d for non programmable.	5d
Heat Pump	Next HPUM OF Prev Done	OFF configures the thermostat for non-heat pump systems. ON configures the thermostat for heat pump systems.	OFF
System Switch	Next SYST Prev Done Cool Heat Off	Use the + or - key until the desired application is flashing.	Heat Off Cool
Dual Fuel Auxiliary for Heat Pump	Next GRAUX OF Prev Done	OFF Will allow Y(1st stage of Heat) and W2 (Aux Heat) to run together if called for. ON Will de-energize Y terminal 45 seconds after a call for Auxiliary Heat (W2).	OFF

Programming

Set Time

- With system switch set to OFF, press the **MENU** button
- Press **SET TIME**
- Day of the week will be flashing. Use the **+** or **-** key to select the current day of the week.
- Press **NEXT STEP**
- The current hour is flashing. Use the **+** or **-** key to select the current hour. When using 12-hour time, make sure the correct a.m. or p.m. choice is selected.
- Press **NEXT STEP**
- Minutes are now flashing. Use the **+** or **-** key to select current minutes.
- Press **DONE** when completed.

Tech Settings	LCD Will Show	Adjustment Options	Default
Stages of Heat	Next HPUM 2H Prev Done	You can configure the thermostat to operate a 3 stage heat pump system. 2H 2C = 2 heat, 2 cool 3H 2C = 3 heat, 2 cool This feature only shows if Technician Setup Step for HEAT PUMP is set to ON.	2H
Cooling Fan Delay	Next FNDL OF Prev Done	The cooling fan delay setting will delay the fan from coming on in cool mode and keep running after the compressor shuts off for a short time to save energy in some systems.	OFF
Remote Sensor Operation	Next REOP 1 Prev Done	You can configure the thermostat for one of three remote sensor applications: 0 - No Sensor. 1 - Indoor. 2 - Outdoor. 3 - Floor.	0
Local Temp Sensor	Next LOCL ON Prev Done	Disable the sensor on the T755S thermostat. At least one R251S indoor remote sensor must be connected to disable the local T755S sensor. Note: Will only show if remote sensor is set to 1.	ON

S1 / S2 Terminal			
Options	Mode	Description	Requires
1	Indoor	The local and remote temperatures are averaged.	R251S
2	Outdoor	The outdoor temperature is flashed in clock.	R250S
3	Floor	The floor temperature is shown in tech.	R250S

Programming

Programming

All of our programmable thermostats are shipped with an energy saving pre-program. You can customize this default program by following the steps on the next page.

There are four time periods for each program (**WAKE, LEAVE, RETURN, SLEEP**).

Factory Default Program				
Day of the Week	Events	Time	Setpoint Temperature (HEAT)	Setpoint Temperature (COOL)
Weekday	Wake	6 AM	70°F (21°C)	75°F (24°C)
	Leave	8 AM	62°F (17°C)	83°F (28°C)
	Return	6 PM	70°F (21°C)	75°F (24°C)
	Sleep	10 PM	62°F (17°C)	78°F (26°C)
Saturday	Wake	6 AM	70°F (21°C)	75°F (24°C)
	Leave	8 AM	62°F (17°C)	83°F (28°C)
	Return	6 PM	70°F (21°C)	75°F (24°C)
	Sleep	10 PM	62°F (17°C)	78°F (26°C)
Sunday	Wake	6 AM	70°F (21°C)	75°F (24°C)
	Leave	8 AM	62°F (17°C)	83°F (28°C)
	Return	6 PM	70°F (21°C)	75°F (24°C)
	Sleep	10 PM	62°F (17°C)	78°F (26°C)

Tech Settings	LCD Will Show	Adjustment Options	Default
Number of Indoor Remotes Enables the use of up to sixteen indoor sensors (R251S). Note: Will only show if remote sensor is set to 1 and local temp sensor is set to on.	Next REMO 1 Prev Done	1, 4, 9, 16 indoor sensors R251S connected. See R251S install manual for detailed connection information.	1
Balance Point Temp Only shows if Heat Pump is turned ON and Remote Sensor is set to 2. Requires Outdoor Sensor An outdoor temperature ABOVE this setting will LOCKOUT the auxiliary heat terminal (W2), and ONLY ALLOW the heat pump/compressor terminals (Y's) to energize. An outdoor temperature BELOW this setting can perform 2 different ways, depending on the previous Dual Fuel /Gas Aux setting. 1. If Dual Fuel /Gas Aux is set OFF (Default-typical Electric Aux setting) This will allow both heat pump (Y's) and auxiliary heat (W2) to run together. 2. If Dual Fuel /Gas Aux is set ON (typical Gas Auxiliary/Dual Fuel setting) This will LOCKOUT the heat pump (Y's) and ONLY ALLOW the auxiliary heat (W2) to energize	Next BLPT NO Prev Done	Use the [+] or [-] key to select NO (to not use this feature), or 10, 20, 30, 35, 40, 45, or 50 degrees.	NO
Balance Run-Time Balance point run time will allow W2 auxiliary terminal to energize even if outdoor temperature is above the selected balance point temperature. If enabled, auxiliary will energize for the current cycle after the balance point run time has expired. Note: Only shows if balance point is set to an outdoor temperature.	Next BLRT NO Prev Done	Use the [+] or [-] key to select NO, 15, 30, 45, 60, 75, or 90 minutes.	NO
Floor Temperature The temperature of the floor sensor will be displayed. Note: Only shows when REOP is set to 3.	Next FLOR 70 Prev Done	N/A	N/A

Tech Settings	LCD Will Show	Adjustment Options	Default
Floor High Limit This setting allows you to set a maximum floor temperature limit for heat. Heat will be locked out when the floor temperature is above this value. Note: Only shows when REOP is set to 3.	Next H ILM 86 Prev Done	Use the [+] or [-] key to select the high limit for the floor sensor. 35-120 degrees.	86
Floor Low Limit This setting allows you to set a minimum floor temperature limit for heat. Heat will turn on automatically when the floor temperature is below this value. Note: Only shows when REOP is set to 3.	Next LOLM 50 Prev Done	Use the [+] or [-] key to select the low limit for the floor sensor. 35-120 degrees.	50
Satisfy Setpoint This feature allows the thermostat to keep multiple stages of heat or cool energized until setpoint is satisfied for that cycle.	Next Step S ST OF Prev Step	Use the [+] or [-] key to turn ON or OFF.	OFF
Staging Delay This feature allows a delay to occur when a second stage is needed. This allows the previous stage extra time to satisfy setpoint. Note: Will not appear if using a balance point temperature.	Next Step S T L OF Prev Step	Use the [+] or [-] key to select OFF, 10, 15, 30, 45, 60, or 90 minutes.	OFF



Note: When the R250S is used as an outdoor sensor and a dual fuel balance point is enabled, an outdoor temperature above balance point will cause the thermostat to only allow Y terminal(s) to energize. An outdoor temperature below balance point will cause the thermostat to only allow the W2 to energize.



Note: The temperature shown is the average of all remotes, if R251S remotes are used indoors.



Note: When using the R250S as a floor sensor, High Limit may cause system to be off even when temperature isn't yet satisfied. This is to avoid heating beyond setpoint.

Programming

Set Program Schedule 5+1+1 or 7 Day

To customize your program schedule, follow these steps:

1. Select **HEAT** or **COOL** with the system switch. **Note:** You have to program heat and cool each separately.
2. Press the **MENU** button (If menu does not appear first press **RUN SCHED**)
3. Press **SET SCHED**. Note: Monday-Friday or (**Monday if in 7 Day**) is displayed and the **WAKE** icon is shown. You are now programming the wake time period for that day.
4. Time is flashing. Use the **[+]** or **[-]** key to make your time selection for that day's **WAKE** time period. Note: If you want the fan to run continuously during this time period, select **ON** with the **FAN** key
5. Press **NEXT STEP**
6. The setpoint temperature is flashing. Use the **[+]** or **[-]** key to make your setpoint selection for that day's **WAKE** time period.
7. Press **NEXT STEP**
8. Repeat steps 4 thru 7 for that day's **LEAVE** time period, **RETURN** time period, and **SLEEP** time period.



If in 5+1+1 Programming:
Repeat steps 4 thru 8 for the Saturday + Sunday time periods.

If using 7- Day Programming:
Use these same steps for every individual day.

Programming

You can use the table below to plan your customized program schedule.

Factory Default Program				
Day of the Week	Events	Time	Setpoint Temperature (HEAT)	Setpoint Temperature (COOL)
Weekday	Wake	6 AM	70°F (21°C)	75°F (24°C)
	Leave	8 AM	62°F (17°C)	83°F (28°C)
	Return	6 PM	70°F (21°C)	75°F (24°C)
	Sleep	10 PM	62°F (17°C)	78°F (26°C)
Saturday	Wake	6 AM	70°F (21°C)	75°F (24°C)
	Leave	8 AM	62°F (17°C)	83°F (28°C)
	Return	6 PM	70°F (21°C)	75°F (24°C)
	Sleep	10 PM	62°F (17°C)	78°F (26°C)
Sunday	Wake	6 AM	70°F (21°C)	75°F (24°C)
	Leave	8 AM	62°F (17°C)	83°F (28°C)
	Return	6 PM	70°F (21°C)	75°F (24°C)
	Sleep	10 PM	62°F (17°C)	78°F (26°C)