



# TP-N-631

**Vive Comfort**  
 P.O. Box 3377  
 Springfield, MO 65804  
 Toll Free : 888-776-1427  
 Web: www.vivecomfort.com  
 Hours of Operation: M-F 9AM - 6PM Eastern

## Thermostat Application Guide

Description	
Gas or Oil Heat	Yes
Electric Furnace	Yes
Heat Pump (No Aux. or Emergency Heat)	Yes
Heat Pump (With Electric Aux.)	Yes
Heat Pump (With Gas Aux.)	No
Multi-Stage Systems	No
Heat Only Systems - Floor or Wall Furnace	Yes
Cool Only Systems	Yes
High and Low Fan Speed	Yes
Millivolt	No
Emergency Heat	No
Conventional Single Stage Furnace	Yes
Geothermal	Yes

## Power Type

Battery Power  
 Hardwire (Common Wire)  
 Hardwire (Common Wire) with Battery Backup

**A trained, experienced technician must install this product.**  
 Carefully read these instructions. You could damage this product or cause a hazardous condition if you fail to follow these instructions.

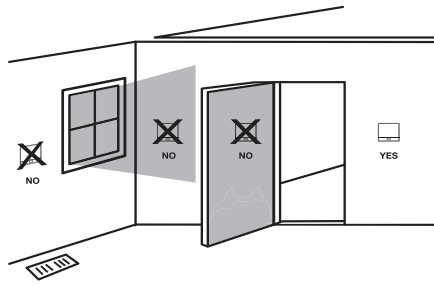
Una version en español de este manual se puede descargar en la pagina web de la compañía.

## Table of Contents

Page	
2-3	Installation Tips
4	Thermostat Quick Reference
5-6	Wiring
7-8	Wiring Diagrams
9-11	Technician Setup
12	Swing Setting
13	Specifications

## Wall Locations

The thermostat should be installed approximately 4 to 5 feet above the floor. Select an area with average temperature and good air circulation.



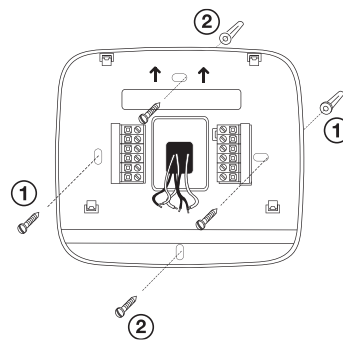
**Do not install thermostat in locations:**

- Close to hot or cold air ducts
- That are in direct sunlight
- With an outside wall behind the thermostat
- In areas that do not require conditioning
- Where there are dead spots or drafts (in corners or behind doors)
- Where there might be concealed chimneys or pipes

**Installation Tip**  
 Pick an installation location that is easy for the user to access. The temperature of the location should be representative of the building.

## Subbase Installation

- ① Horizontal Mount
- ② Vertical Mount



For vertical mount put one screw on the top and one screw on the bottom.  
 For horizontal mount put one screw on the left and one screw on the right.

**Installation Tip: Electrical Hazard**  
 Failure to disconnect the power before beginning to install this product can cause electrical shock or equipment damage.

**Mercury Notice**  
 All of our products are mercury free. However, if the product you are replacing contains mercury, dispose of it properly. Your local waste management authority can give you instructions on recycling and proper disposal.

1 ® U.S. Registered Trademark. Patents pending Copyright ©2018 All Rights Reserved.

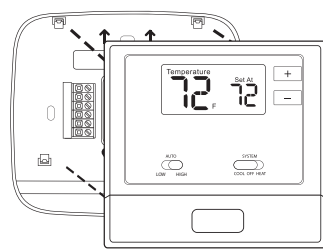
Rev. 1821

2

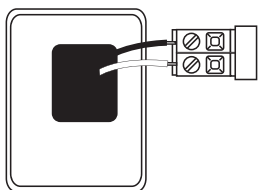
## Installation Tips

### Mount Thermostat

Align the 4 tabs on the subbase with corresponding slots on the back of the thermostat, then push gently until the thermostat snaps in place.



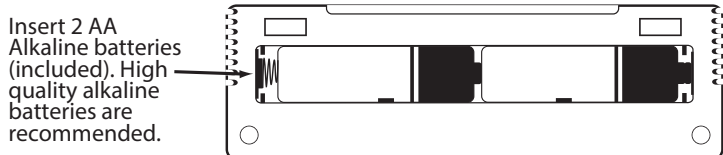
### Battery Installation



Battery installation is optional if thermostat is hardwired (R and C terminal connected to 24V power).

### Important:

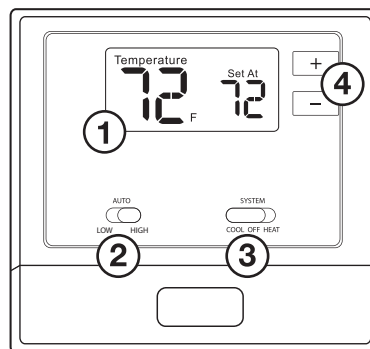
High quality alkaline batteries are recommended. Rechargeable batteries or low quality batteries do not guarantee a 1-year life span.



Located on the back of the thermostat.

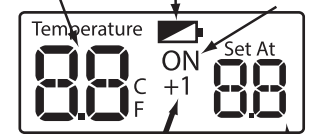
## Thermostat Quick Reference

### Getting to know your thermostat



- ① LCD
- ② Fan Switch
- ③ System Switch
- ④ Setpoint Buttons

**Low Battery Indicator:** Replace batteries when indicator is shown.  
**System operation indicators:** On will display when the COOL or HEAT is on.

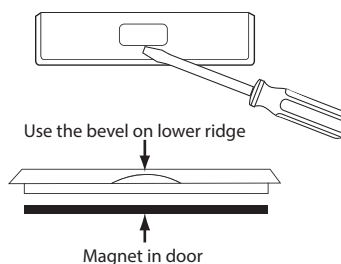


+1 will appear in the display when the auxiliary heat is active. Displays the user selectable setpoint temperature.

### Important

The low battery indicator is displayed when the AA battery power is low. If the user fails to replace the battery within 21 days, the screen will only show the low battery indicator but maintain all functionality. If the user fails to replace the batteries after an additional 21 days (days 22-42 since first "low battery" display) the setpoints will change to 55°F (Heating) and 85°F (Cooling). If the user adjusts the setpoint away from either of these, it will hold for 4 hours then return to either 55°F or 85°F. After day 63 the batteries must be replaced immediately to avoid freezing or overheating because the thermostat will shut the unit off until the batteries are changed.

### Removing The Private Label Badge



Gently slide a screwdriver into the bottom edge of the badge. Gently turn the screwdriver counter clockwise. The badge is held on by a magnet in the well of the battery door. The badge should pry off easily. **DO NOT USE FORCE.**

### About The Badge

All of our thermostats use the same universal magnetic badge. Visit the company website to learn more about our free private label program.

3

4

# Wiring

## Wiring

1. If you are replacing a thermostat, make note of the terminal connections on the thermostat that is being replaced. In some cases the wiring connections will not be color coded. For example, the red wire may not be connected to the **R** terminal.
2. Loosen the terminal block screws. Insert wires then retighten terminal block screws.



### Installation Tip

Do not overtighten terminal block screws, as this can damage the terminal block. A damaged terminal block can keep the thermostat from fitting on the subbase correctly or cause system operation issues.

**Max Torque = 6in-lbs.**

Terminal	1 Heat 1 Cool Conventional System	1 Heat 1 Cool Heat Pump System	2 Heat 1 Cool Heat Pump System
R	Transformer power (cooling)	Transformer power (cooling)	Transformer power (cooling)
C	Transformer common	Transformer common	Transformer common
B	Energized in heating	Heat pump changeover valve energized in heating	Heat pump changeover valve energized in heating
O	Energized in cooling	Heat pump changeover valve energized in cooling	Heat pump changeover valve energized in cooling
GL	Fan Relay, Low	Fan Relay, Low	Fan Relay, Low
GH	Fan Relay, High	Fan Relay, High	Fan Relay, High
W	First stage of heat	N/A	Second stage of heat
Y	First stage of cool	First stage of heat & cool	First stage of heat & cool

## Wiring

This thermostat is shipped from the factory to operate a conventional heating and cooling system. This thermostat will also operate a heat pump system. See the "heat pump" configuration step on page 10 of this manual to configure the thermostat for heat pump applications.

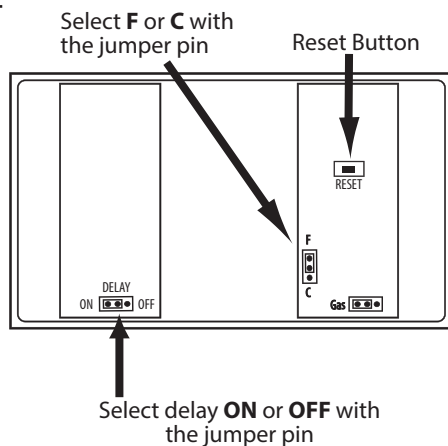
5

## Technician Setup

### Fan Operation Setup

**Electric:** The thermostat operation jumper pin should be put in the ELEC position. This setting allows the thermostat to operate the fan during a call for heat. Most PTAC systems will require ELEC Fan Operation Setup.

**Gas:** For systems that control the fan during a call for heat, put the jumper pin into the GAS position.



### Fahrenheit/Celsius Display

Select F or C with the jumper pin to select desired display.

### Compressor Short Cycle Delay

The compressor short cycle delay protects the compressor from short cycling. This feature will not allow the compressor to be turned on for 5 minutes after it was last turned off.

Using the jumper on the back of the thermostat, selecting ON will not allow the compressor to be turned on for 5 minutes after the last time the compressor was on. Selecting OFF will remove this delay.



### Important

The RESET button must be pressed after changing any switch or jumper pin setting. Batteries must be installed for this operation.

9

# Wiring

## Wiring Tips



### Caution: Electrical Hazard

Failure to disconnect the power before beginning to install this product can cause electrical shock or equipment damage.



### Warning:

All components of the control system and the thermostat installation must conform to Class II circuits per the NEC Code.

### C Terminal

The C (common wire) terminal does not have to be connected when the thermostat is powered by batteries.

### Wire Specifications

Use shielded or non-shielded 18-22 gauge thermostat wire.



### Note:

When connecting the TP-N-631 to a PTAC, refer to the PTAC manufacturer instructions to enable remote thermostat operation.

6

## Technician Setup Menu

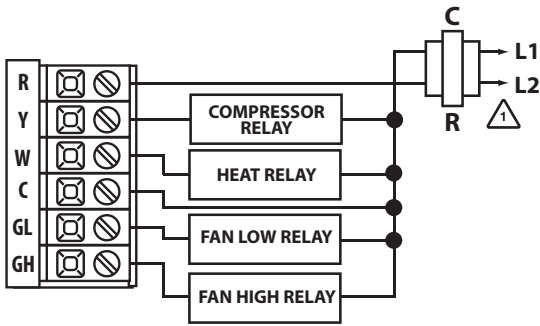
1. Set the thermostat system switch to **OFF**.
2. To enter Tech Setup Menu, press and hold **-** and **+** together for 3 seconds.
3. Use **-** or **+** to select desired setting for each option.
4. Tap **-** and **+** together to move next option.
5. To exit Tech Setup Menu, move system switch or wait 15 seconds.

Tech Setup Steps	LCD Will Show	Adjustment Options	Default
Room Temperature Calibration	CA 0	You can adjust the room temperature display to read up to 4° above or below the factory calibrated reading.	0° F
Change Over Valve Selection	CO 0	0 for cooling changeover valve. b for heating changeover valve.	0
Heat Pump	HU OF	OFF configures the thermostat for non heat pump systems. ON configures the thermostat for heat pump systems.	OFF
Heating Temperature Setpoint Limit	HE 90	45.0° - 90.0° F 7.0° - 32.0° C	90° F
Cooling Temperature Setpoint Limit	CL 45	45.0° - 90.0° F 7.0° - 32.0° C	45° F

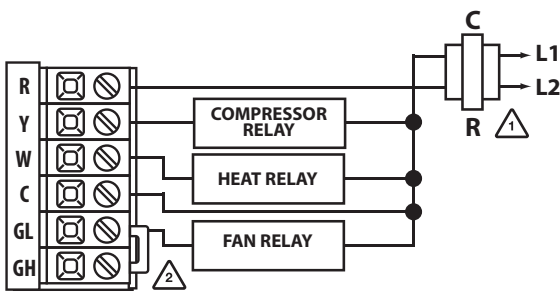
10

- ⚠️ 1 Power supply
- ⚠️ 2 Jumper (not supplied) to connect GL and GH terminals.
- ⚠️ 3 Thermostat must be set to O and B to match the changeover valve, O is the cool changeover valve, B is the heat changeover valve.
- ⚠️ 4 The Aux Heat Relay is energized as the second stage of heat.

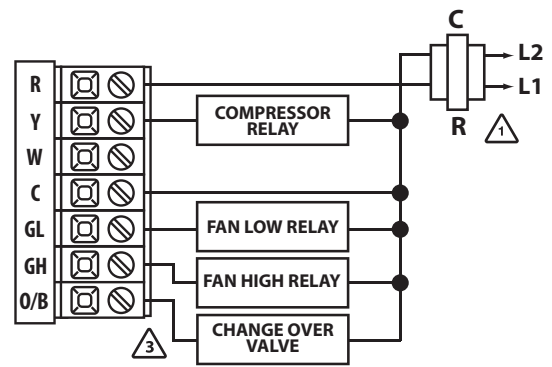
Typical 1H/1C System: 2 Speed Fan



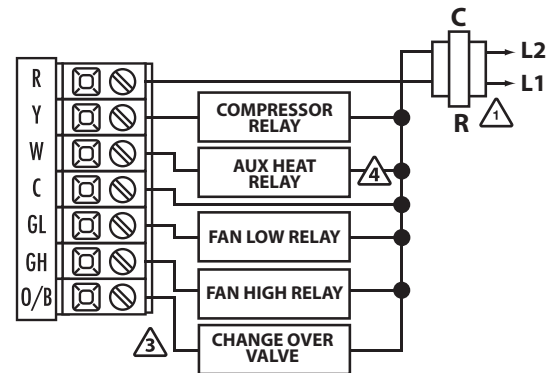
Typical 1H/1C System: 1 Speed Fan



Typical 1H/1C Heat Pump System: 2 Speed Fan



Typical 2H/1C Heat Pump System: 2 Speed Fan



**Note:**

Most PTAC systems support two speed fan operation. In a single speed fan PTAC system or conventional single speed fan system, a jumper should be installed between GL and GH on the thermostat.

**Swing Setting**

1. Set the thermostat system switch to the desired position (COOL or HEAT).
2. Press and hold **-** and **+** together for 3 seconds.
3. Use **-** or **+** to adjust desired swing setting. (The display reads in tenths of a degree.)
4. To exit, move system switch or wait 15 seconds.

Swing Settings	LCD Will Show	Adjustment Options	Default
<b>Cooling Swing (SYSTEM COOL)</b> The swing setting, often called "cycle rate", "differential" or "anticipation" is adjustable. A smaller swing setting will cause more frequent cycles and a larger swing setting will cause fewer cycles.	08	The cooling swing setting is adjustable from 0.2° to 2°. For example: A swing setting of 0.5° will turn the cooling on at approximately 0.5° above the setpoint and turn the cooling off at approximately 0.5° below the setpoint.	0.8°
<b>Heating Swing (SYSTEM HEAT)</b> The swing setting, often called "cycle rate", "differential" or "anticipation" is adjustable. A smaller swing setting will cause more frequent cycles and a larger swing setting will cause fewer cycles.	08	The heating swing setting is adjustable from 0.2° to 2°. For example: A swing setting of 0.5° will turn the heating on at approximately 0.5° below the setpoint and turn the heating off at approximately 0.5° above the setpoint.	0.8°

**Swing Setting**

The second stage of Heat will turn on at 2x the swing setting. The second stage will turn off when 1x the swing is reached. For example, if the swing setting is 0.8° for heating and the thermostat is set at 70° F, the first stage will turn on at approximately 69.2° F. The second stage will turn on at 68.4° F and the first will turn off at 70.8° F.

**Specifications**

**Specifications**

**TP-N-631 Thermostat**

- The display range of temperature ... 41°F to 95°F (5°C to 35°C)
- The control range of temperature.... 44°F to 90°F (7°C to 32°C)
- Load rating..... 1 amp per terminal, 1.5 amp maximum all terminals combined
- Swing (cycle rate or differential) ..... Heating is adjustable from 0.2° to 2.0°  
Cooling is adjustable from 0.2° to 2.0°
- Power source ..... 18 to 30 VAC, NEC Class II, 50/60 Hz for hardwire  
Battery power from 2 AA Alkaline batteries
- Operating ambient ..... 32°F to +105°F (0°C to +41°C)
- Operating humidity ..... 90% non-condensing maximum
- Dimensions of thermostat ..... 4.7"W x 4.4"H x 1.1"D
- Frequency ..... 916 MHz